

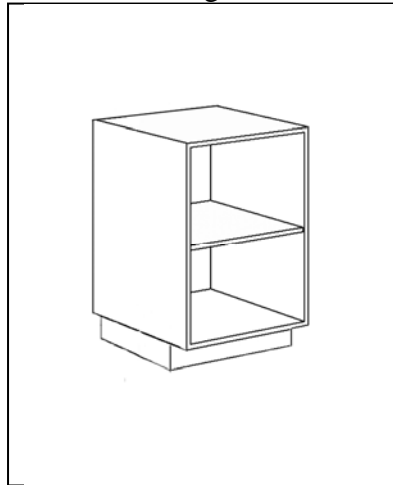
# Waterproof Bar Purchase Order

Name: \_\_\_\_\_  
 Phone: \_\_\_\_\_

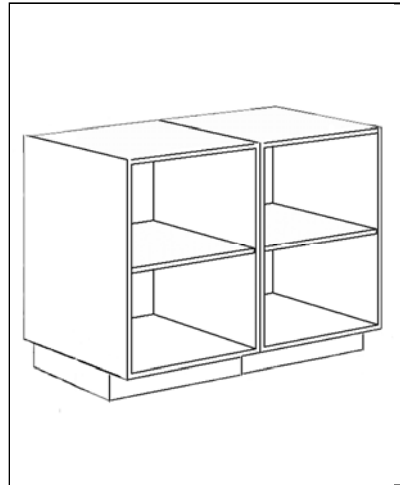
Address: \_\_\_\_\_  
 \_\_\_\_\_

CABINET CORE (circle one):

Single



Double



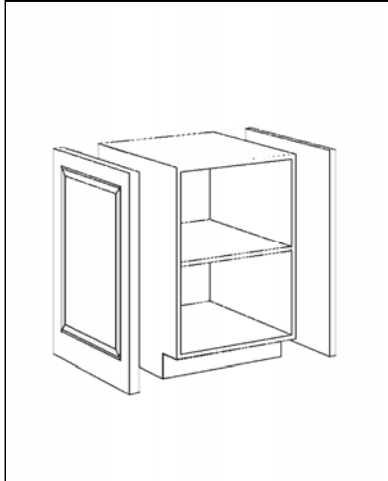
OR

Width:                      14"    18"    22"

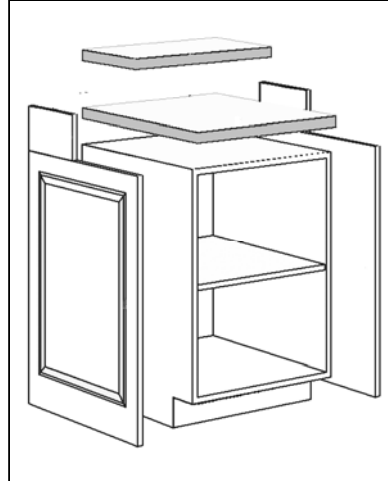
28"    36"    44"

SIDE PANELS (circle one):

Simple



Two-Tier

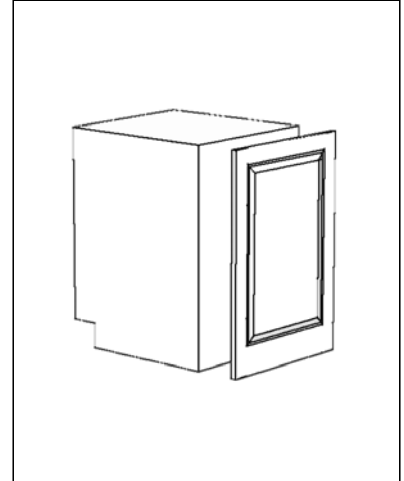


OR

FRONT PANEL (circle one):

Yes

No



COUNTER TOP:  
 Image #: \_\_\_\_\_

BAR TOP (for Two-Tier models only):  
 Design #: \_\_\_\_\_

DOOR:  
 Design #: \_\_\_\_\_

THEME COLOR (color of images and accent lines, circle one):    RED    GREEN    BLUE    BLACK

Customer Signature: \_\_\_\_\_

Date: \_\_\_\_\_

Payment Confirmation

Received By: \_\_\_\_\_

Check Number: \_\_\_\_\_